

USB C-to-SATA DriveLock



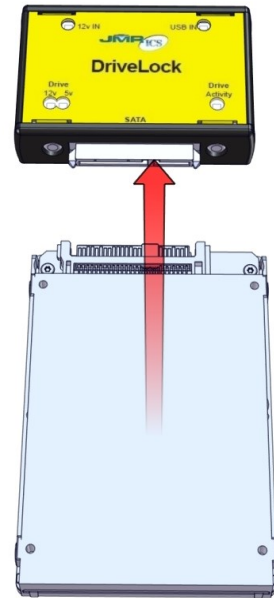
Quick Start Guide

Provides a Write-Protect hardware solution for Acquiring, Viewing or Analyzing data.

www.jmr.com

Quick Start Setup:

1. Connect the SATA drive to the *DriveLock's* SATA Interface Connector.



2

Quick Start Setup:

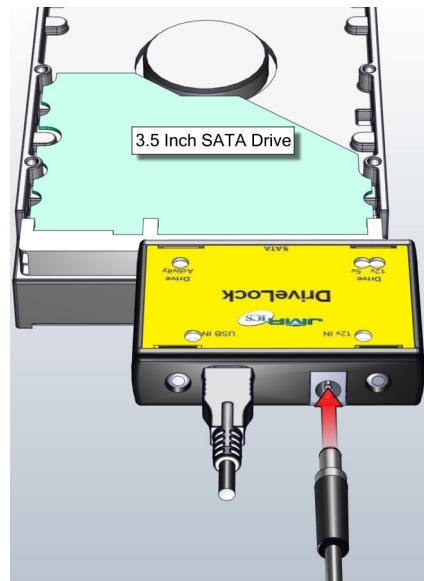
2. Connect the *USB Type C* connector side of the supplied *USB 3.0 Type A-to-USB Type C* Interface cable to the *DriveLock's* *USB Type C* port.



3

Quick Start Setup:

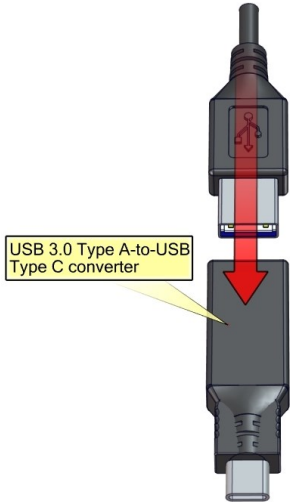
3. If the SATA drive is a 3.5" drive, connect the supplied Power Adapter to the *DriveLock's* Power-In port.
 - a. The 12v-In Status LED will turn Green, but the 3.5" Drive will remain powered off.



4

Quick Start Setup:

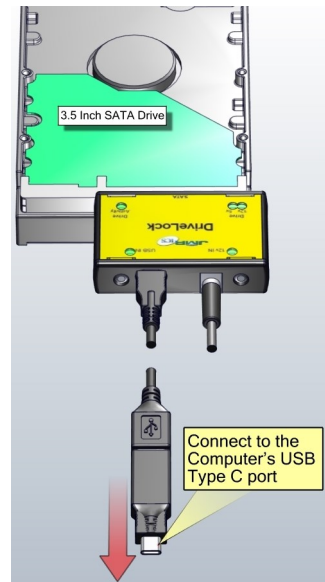
4. For Computers with a USB Type C port, connect the supplied USB 3.0 Type A-to-USB Type C converter to the supplied USB 3.0 Type A-to-USB Type C Interface cable. Skip to Step 6 if the Computer does not have a USB Type C port.



5

Quick Start Setup:

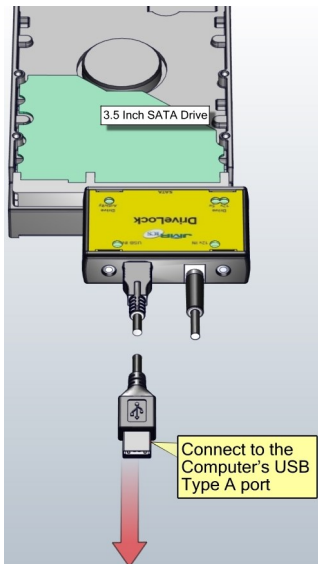
5. Connect the USB Type C connector side of the supplied USB 3.0 Type A-to-USB Type C converter to the Computer's USB Type C port.
 - a. The Drive will Power-On and all applicable Status LEDs will be activated.



6

Quick Start Setup:

6. For Computers without a USB Type C port, connect the USB 3.0 Type A connector side of the supplied USB 3.0 Type A-to-USB Type C Interface cable to the Computer's USB 3.0 Type A port.
 - a. The Drive will Power-On and all applicable Status LEDs will be activated.



7

Technical Support

For questions, contact JMR-ICS Technical Support at:

- Phone:
1-818-998-5805 between 8 a.m. and 5 p.m. Pacific Time.
- Email:
support@ics-iq.com

Visit www.jmr.com or www.ics-iq.com to download the detailed *USB C-to-SATA DriveLock User's Guide* .

8