

USB C-to-SATA DriveLock

User's Guide



JMR-Intelligent Computer Solutions

8960 Fullbright Avenue
Chatsworth, CA 91311

DOC-0118-000A

Rev. 1.6

Printed in the USA

Sales/Technical Support

Phone: 1-818-998-5805

Fax: 1-818-998-3190

E-Mail: sales@ics-iq.com

E-Mail: support@ics-iq.com

Home Page: <http://www.ics-iq.com>

Copyright© 2019, Intelligent Computer Solutions. All rights reserved. The DriveLock[®] and associated material are copyrighted and registered in accordance with the laws and regulations of the State of California and the United States of America. IBM[®] and OS/2[®] are registered trademarks of the International Business Machines Corporation. DOS[®], Windows[®], Windows NT[®], and Windows 95/98/2000[®] Windows ME[®], Windows XP[®], Windows VISTA[®] are registered trademarks of the Microsoft Corporation. All other brand and product names are trademarks of their respective owners.

Contents

CONTENTS	3
CHAPTER 1: INTRODUCTION	4
Overview.....	5
Features	6
About this User Guide	6
Typical Conventions Used	7
CHAPTER 2: SETUP	8
Quick Start Setup.....	9
Quick-Reference Parts List	17
Hardware Description	18
APPENDIX A: OPERATIONAL NOTES	21
APPENDIX B: PRODUCT INFORMATION	22
Limited Warranty.....	22
What is Not Covered:.....	23
Limitation of Liability.....	23
Technical Support.....	23

Chapter 1: Introduction

Overview

The *USB C-to-SATA DriveLock* is designed exclusively for Forensic/IT data analysis applications, providing a write-protect hardware solution for acquiring, viewing or analyzing data in a secure environment without the risk of deleting or modifying the drive's data. The *USB C-to-SATA DriveLock* is compact, portable and designed with today's Advanced High Speed USB 3.1 technology using the universal and reversible USB-C connector. The *USB C-to-SATA DriveLock* can be connected to the Host Computer using the Computer's High Speed USB 3.1 Type C interface connector or USB 2.0/3.0 Type A interface connectors.

USB C-to-SATA DriveLock



Features

- **Write-Protection Support:**

Provides a hardware write-protect solution for acquiring, viewing or analyzing data in a secure environment without the risk of deleting or modifying the drive's data.

- **Multi Media Write-Protect Support:**

Offers native support for 2.5"/3.5" SATA-3 Drives. Optional adapters are available to support M.2 SSD, 2.5"/3.5" IDE drives, Micro SATA drives, ZIF drives.

- **High Speed Host Interface Support:**

Built-in USB 3.1 Interface allows up to 48GB/min.

- **Multiple O/S Host Support:**

Supports Windows and Apple O/S, including Linux.

- **Status LEDs:**

Provides activity and connection status.


- **Portable:**

Compact and Light Weight.

About this User Guide

The User Guide for the USB C-to-SATA DriveLock will be updated as needed to reflect hardware and software modifications. Therefore, descriptions of features may be subject to change.

Typical Conventions Used

<u>Convention</u>	<u>Meaning</u>
Bold	In procedures, bold typeface indicates a screen menu item or function such as a setting or control button.
<i>Italic</i>	Indicates the name of a USB C-to-SATA DriveLock feature, system, mode, or other important reference.
Note	Identifies additional important information regarding a topic or task.
	Indicates a warning or caution

Chapter 2: SETUP

Quick Start Setup

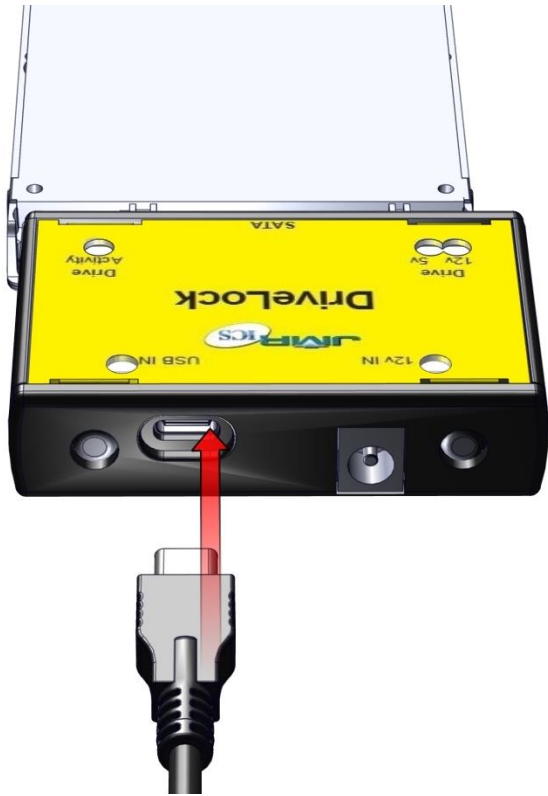
The following instructions describe the basic procedures to setup and start using the *USB C-to-SATA DriveLock* unit.

NOTE: The Computer can be On or Off during Setup

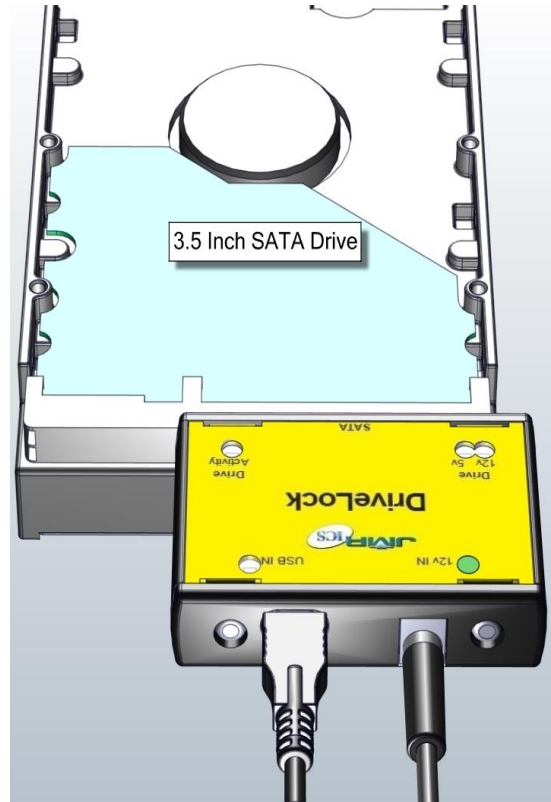
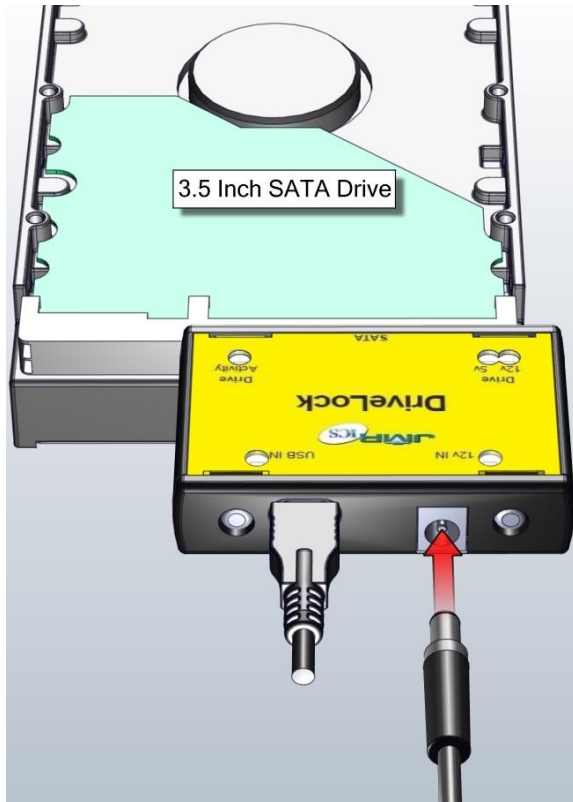
1. Carefully remove the *USB C-to-SATA DriveLock* from its shipping box.
2. Use the supplied [Parts List](#) (Table 1) to complete an inventory check.
3. Review the [Hardware Description](#) section in this Chapter.
4. Connect the SATA drive to the *DriveLock's* SATA Interface Connector.



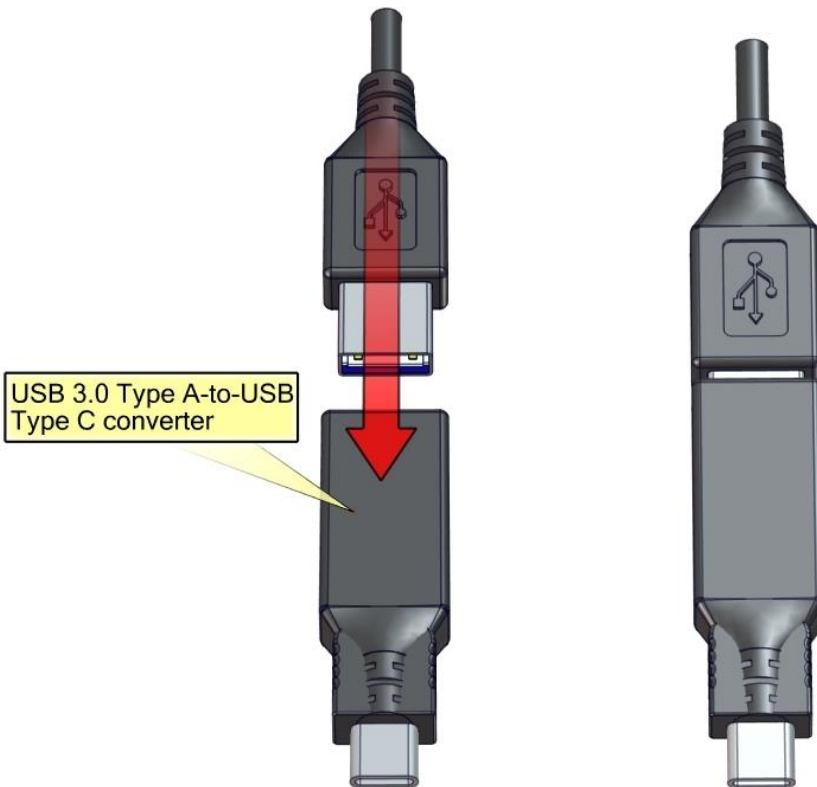
5. Connect the *USB Type C* connector side of the supplied *USB 3.0 Type A-to-USB Type C* Interface cable to the *DriveLock's* *USB Type C* port.



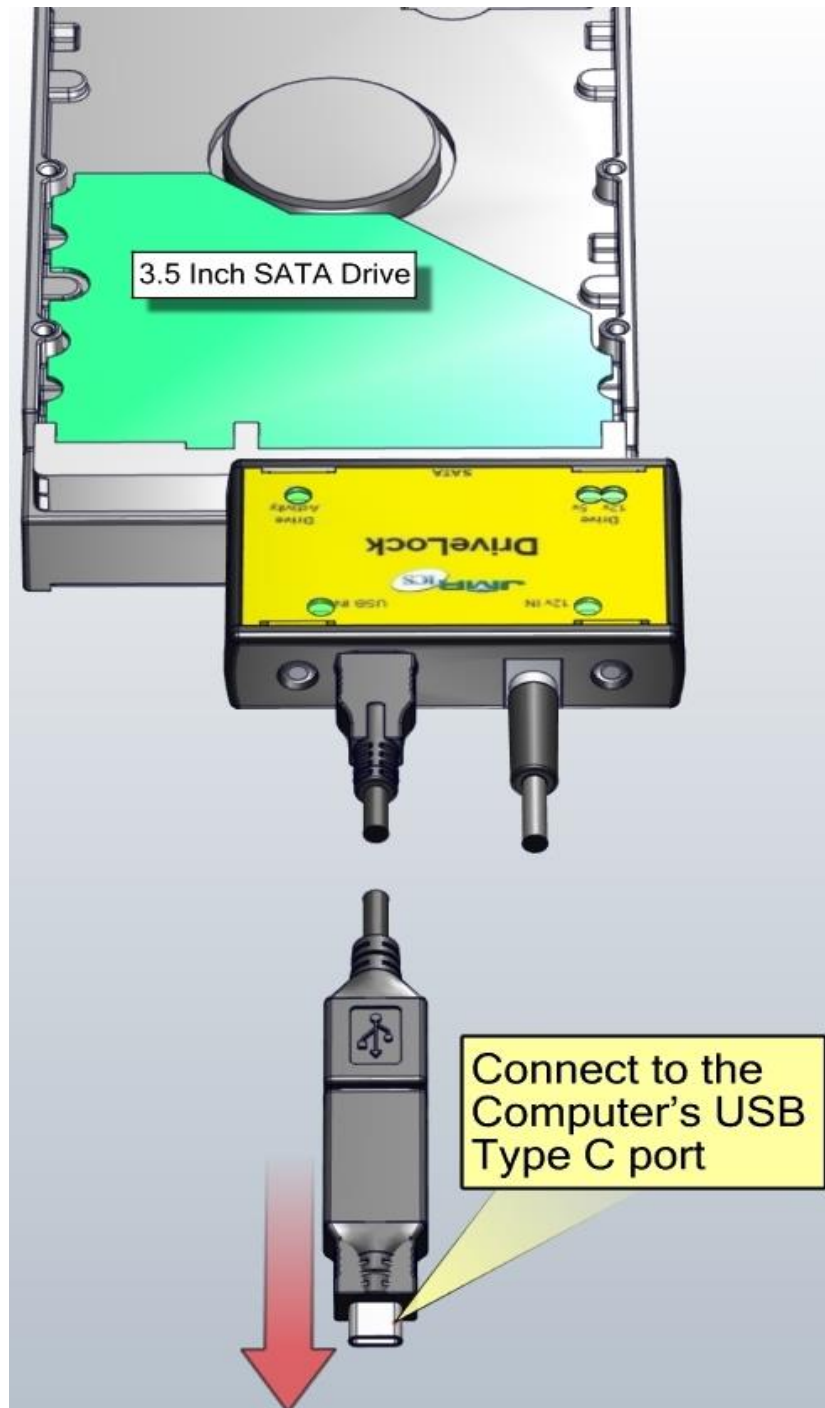
6. If the SATA drive is a 3.5" drive, connect the supplied Power Adapter to the *DriveLock's* Power-In port.
 - a. The 12v-In Status LED will turn Green, but the 3.5" Drive will remain powered off.



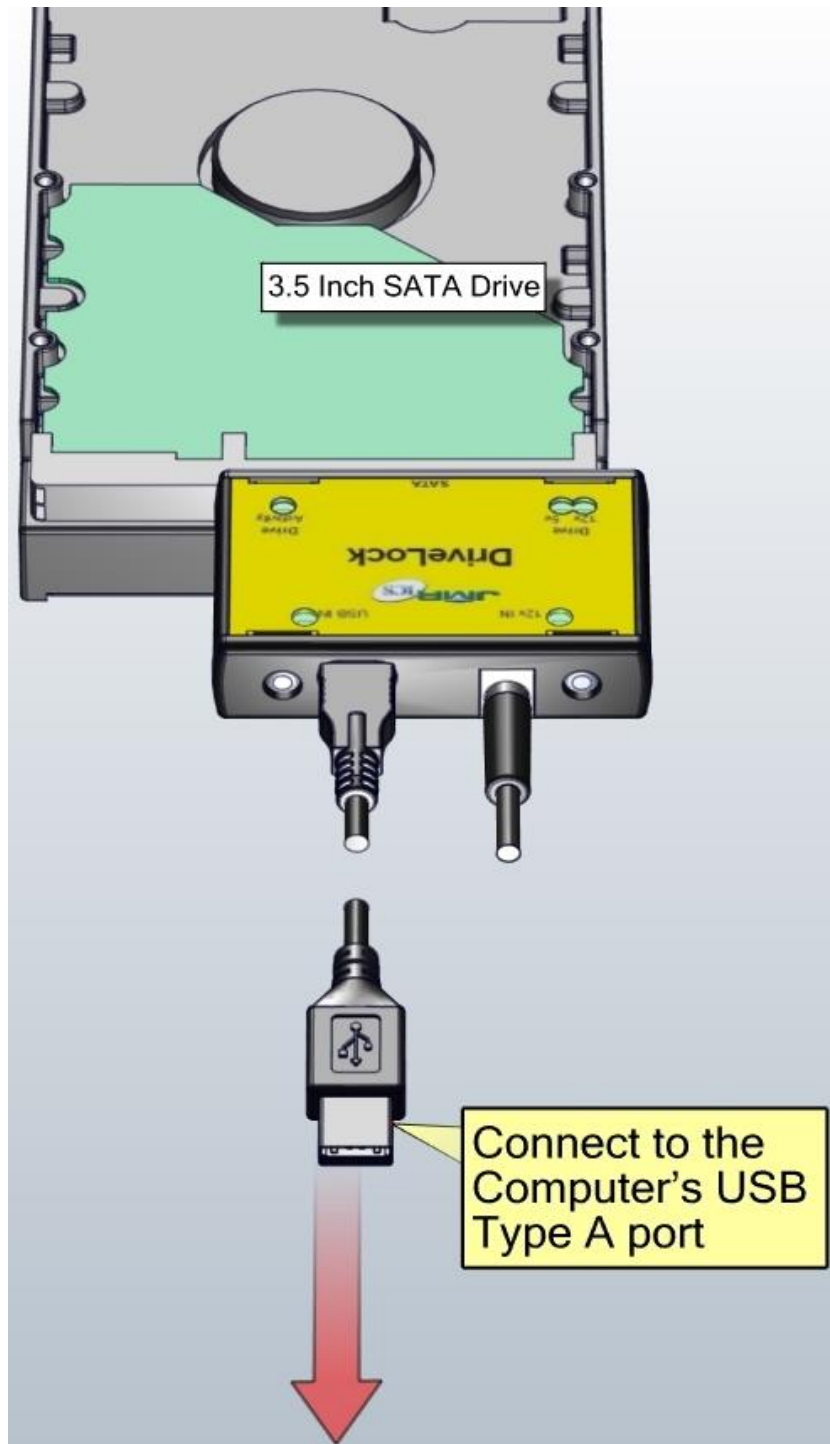
7. For Computers with a *USB Type C* port, connect the supplied *USB 3.0 Type A-to-USB Type C* converter to the supplied *USB 3.0 Type A-to-USB Type C* Interface cable. Skip to Step 9 if the Computer does not have a *USB Type C* port.



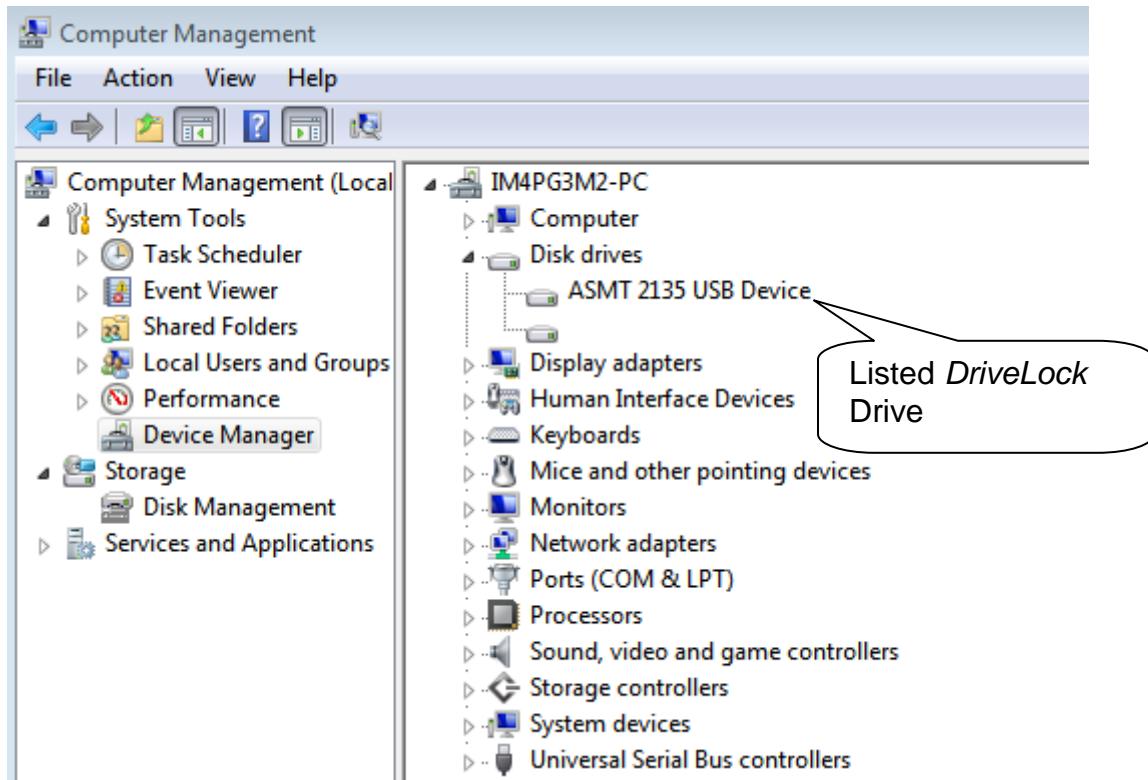
8. Connect the *USB Type C* connector side of the supplied *USB 3.0 Type A-to-USB Type C* converter to the Computer's *USB Type C* port.
 - a. The USB IN LED will turn Green.
 - b. The 5v Drive LED will turn Green.
 - c. The Drive Activity LED will turn Green.
 - d. The 3.5" Drive will Power On.



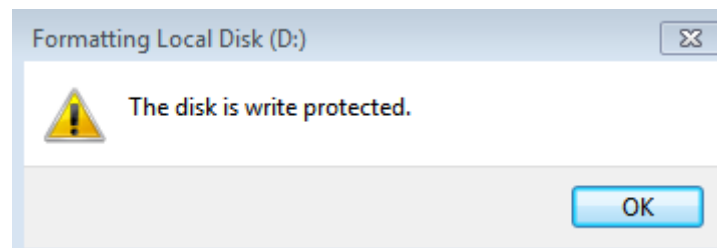
9. For Computers without a *USB Type C* port, connect the *USB 3.0 Type A* connector side of the supplied *USB 3.0 Type A-to-USB Type C* Interface cable to the Computer's *USB 3.0 Type A* port.
 - a. The USB IN LED will turn Green.
 - b. The 5v Drive LED will turn Green.
 - c. The Drive Activity LED will turn Green.
 - d. The 3.5" Drive will Power On.




10. Once the Drive is connected to the Computer through the *USB-C-to-SATA DriveLock*, the Computer will detect that a new device is connected and will list the Drive as “ASMT 2135 USB Device.”



11. The Write-Protected drive is now prepared for acquiring, viewing or analyzing data in a secure environment without the risk of deleting or modifying the drive's data. Any Write attempts to the drive may result in the O/S to display a message as shown below:



12. The following is recommended to safely remove the drive connected to the *DriveLock*.

- a. Use the O/S Eject function or select the Safely Remove Hardware  icon to un-mount the drive from the O/S.
- b. Unplug the Drive Lock USB Cable from the Computer.
- c. Unplug the Power Adapter from the *DriveLock*.
- d. Disconnect the Drive.

Quick-Reference Parts List

USB C-to-SATA DriveLock Basic Kit (F.GR-DL-UC2S-000x)

Table 1

Part	PART Number	Quantity
USB C-to-SATA DriveLock	DL-USBC-SA-000x	1
USB 3.0 Type A-to-USB Type C 3' Cable	CBLR-0729-000x	1
USB 3.0 Type A-to-USB Type C Converter	CSAR-0459-000x	1
External 12v DC Power Supply Adapter	CSAR-0460-000x	1
USB C-to-SATA DriveLock Quick Start Guide	DOC-0119-000x	1

USB C-to-SATA DriveLock Super Kit (KIT-DLUCS-100x)

Table 2

Part	PART Number	Quantity
USB C-to-SATA DriveLock Basic Kit	F.GR-DL-UC2S-000x	1
M.2 NGFF SSD to SATA Adapter	ACC-5000-002x	1
DL IDE-to-SATA Adapter	F.GR-0457-000x	1
2.5" IDE Adapter ¹	CSAR-0392-000x	1
1.8" IDE Adapter ²	F.GR-0431-000x	1
ZIF IDE Adapter ³	F.GR-0024-000x	1

USB C-to-SATA DriveLock Accessories Kit (KIT- DLUCS-101x)

Table 3

Part	PART Number	Quantity
M.2 NGFF SSD to SATA Adapter	ACC-5000-002x	1
DL IDE-to-SATA Adapter	F.GR-0457-000x	1
2.5" IDE Adapter ⁴	CSAR-0392-000x	1
1.8" IDE Adapter ⁵	F.GR-0431-000x	1
ZIF IDE Adapter ⁶	F.GR-0024-000x	1

¹ Requires the IDE-to-SATA Adapter

² Requires the IDE-to-SATA Adapter

³ Requires the IDE-to-SATA Adapter

⁴ Requires the IDE-to-SATA Adapter

⁵ Requires the IDE-to-SATA Adapter

⁶ Requires the IDE-to-SATA Adapter

Hardware Description

The following section provides a Hardware Description of the *USB-C-to-SATA DriveLock*. Refer to Table 3 for a detailed description of the unit's hardware.

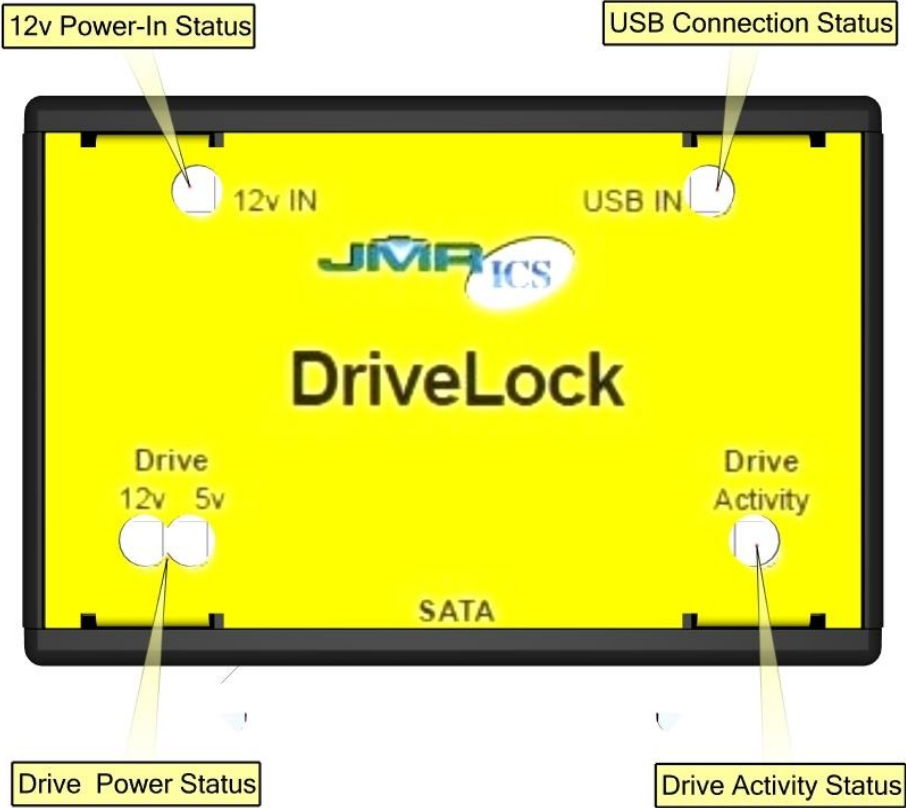
Components and Functions

Table 4

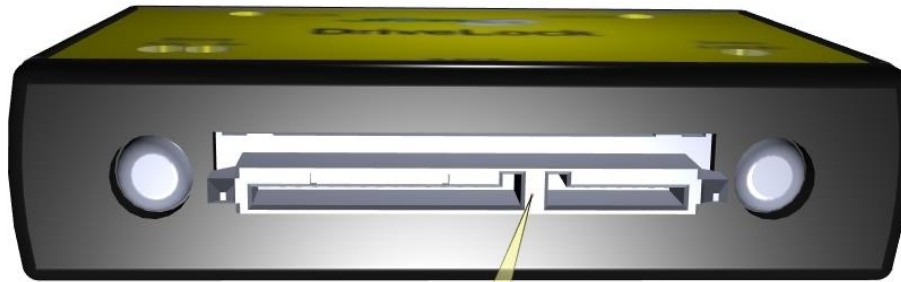
Top Panel (See Fig. 1)	
Drive Power Status LEDs	Used to indicate if the drive is receiving 5v Power, 12v Power or both.
Drive Activity Status LED	The LED will blink during Read and Write attempts to the drive. It will remain Solid Green otherwise.
12v Power-In Status LED	The LED will turn Solid Green to indicate that the external 12v DC Power Adapter is in use.
USB Connection Status	The LED will turn Solid Green when the <i>DriveLock</i> is connected to the Computer's USB Port.
Front Panel (See Fig. 2)	
SATA Drive Interface	Used to connect SATA Drives
Back Panel (See Fig. 3)	
12v DC Power-In Socket	Supplies the <i>DriveLock</i> unit's connected drive with 12v DC power, using an external power supply.
USB Type-C Port	Provides a USB 3.1 Computer interface.

System Specifications

Supply Voltage	+5VDC @ 2A, +12VDC @ 2A
Power Consumption	5W
Operating Temperature	5 degrees - 55 degrees C
Relative Humidity	20% - 60% non-condensing
Net Weight	3.0oz
Overall Dimensions	3.0" (L) x 2.0" (W) x 0.7" (H)



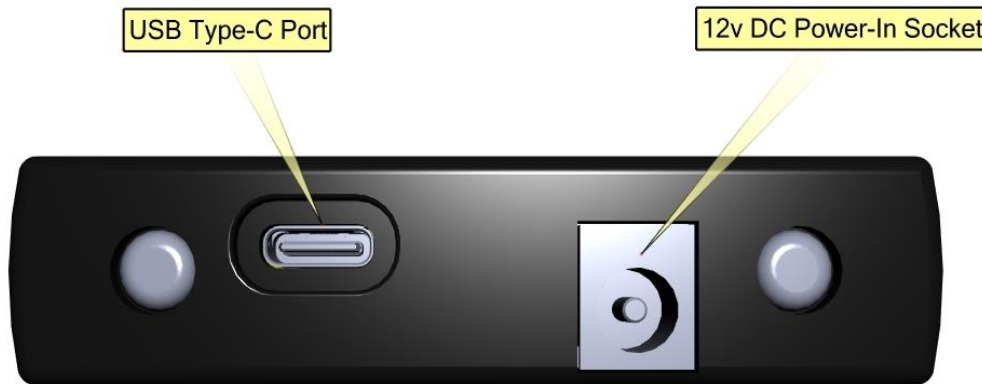
TOP PANEL
Figure 1



SATA Drive Interface

FRONT PANEL

Figure 2



USB Type-C Port

12v DC Power-In Socket

BACK PANEL

Figure 3

Appendix A: Operational Notes

1. Drive Detection

- The Computer's O/S will detect the *DriveLock* drive within a few seconds after connecting the DriveLock to the Computer's USB port.

NOTE: The supplied Power Adapter is required to Power-On 3.5" SATA drives.

- The O/S "Device Manager" function can be used to verify that the drive was properly detected. The DriveLock Drive will be listed as "ASMT 2135 USB Device," to indicate that the drive is connected using the DriveLock unit.


2. Drive Volume Mounting

- If the O/S detects and recognizes a valid partition after the drive is detected, it will mount the drive's volume(s).

3. DriveLock's Write-Protection Properties

- The detected drive will be mounted in a write-protected environment without risk of changing or overwriting the drive's data. Once the drive is detected and its volume mounted, the drive can be used as any other mounted device for browsing, analyzing or acquiring data.
- The DriveLock works as a transparent device. Therefore the O/S may or may not display any Write-Protect messages when attempting to delete or move data from the DriveLock connected drive.

4. Removing the DriveLock Drive

- Use the O/S *Eject* function or select the *Safely Remove Hardware*  icon to un-mount the drive from the O/S.

Appendix B: Product Information

Limited Warranty

Intelligent Computer Solutions, Inc. warrants that our products are free from defects in materials and workmanship for a period of twelve (12) months from the date of purchase by the **original buyer**. If you discover physical defects or malfunction, Intelligent Computer Solutions, Inc. will, at our discretion, repair or replace the product. You must return the defective product to Intelligent Computer Solutions, Inc. within the warranty period accompanied by an RMA number that has been issued by Intelligent Computer Solutions, Inc.

All products purchased from *Intelligent Computer Solutions, Inc.* include a seven-day unconditional money-back guarantee.

Intelligent Computer Solutions, Inc.'s products are shipped in cardboard boxes that have been designed and tested to ensure that our products can endure standard commercial shipping methods and still arrive in working order. We advise you to save your box and original packing materials in case you need to return the product(s) for any reason. If product(s) are returned without proper protective packaging, the warranty may be void.

When you received your product(s), please note the following:

- That the shipping box does not have dents or visible damage.
- What you have received conforms to the packing list.
- There is no apparent damage to the product(s) or accessories.

If any shipping damage is found:

- Please contact the shipper immediately to inspect.
- Please contact our Technical Support Department to report the damage.

What is Not Covered:

This limited warranty provided by *Intelligent Computer Solutions, Inc.* does not cover:

- Products which have been subjected to abuse, accident, alteration, modification, tampering, negligence, misuse, faulty installation, lack of reasonable care, or if repaired or serviced by anyone without prior authorization from Intelligent Computer Solutions, or if the model or serial number has been altered, tampered with, defaced or removed.
- Normal maintenance.
- Damage that occurs in shipment due to act of God and/or cosmetic damage.
- Accessories

Please note that External cables are covered by a 30-day warranty.

This Agreement also does not include service (whether parts or labor) necessitated by any natural cause such as flood, tornado, earthquake or other acts of nature.

Limitation of Liability

The following limitations of ICS liability apply:

ICS is not liable for any incidental or consequential damages, including, but not limited to property damage, loss of time, loss resulting from use of an ICS product, or any other damages resulting from breakdown or failure of a serviced product or from delays in servicing or inability to render service on ICS product. ICS will make every effort to ensure proper operation of its product. It is, however, the Customer's responsibility and obligation to verify that the output of ICS product meets the Customer's quality requirement. Customer acknowledges that improper operation of ICS product and/or software, or hardware problems, can cause defective formatting or data loading to target drive. It is the customer, not ICS, who is responsible for verifying that the device meets the Customer's quality standards. ICS will make efforts to solve any problems identified by Customer.

Technical Support

For help in resolving a problem, contact *ICS Technical Support* at:

Phone: 1-818-998-5805 between 8 a.m. and 5 p.m. Pacific Time.

Please be prepared with the following information:

- ✓ serial number of the USB-C-to-SATA DriveLock
- ✓ nature of the problem
- ✓ steps you have taken
- ✓ your phone and fax numbers
- ✓ error messages displayed on the screens.